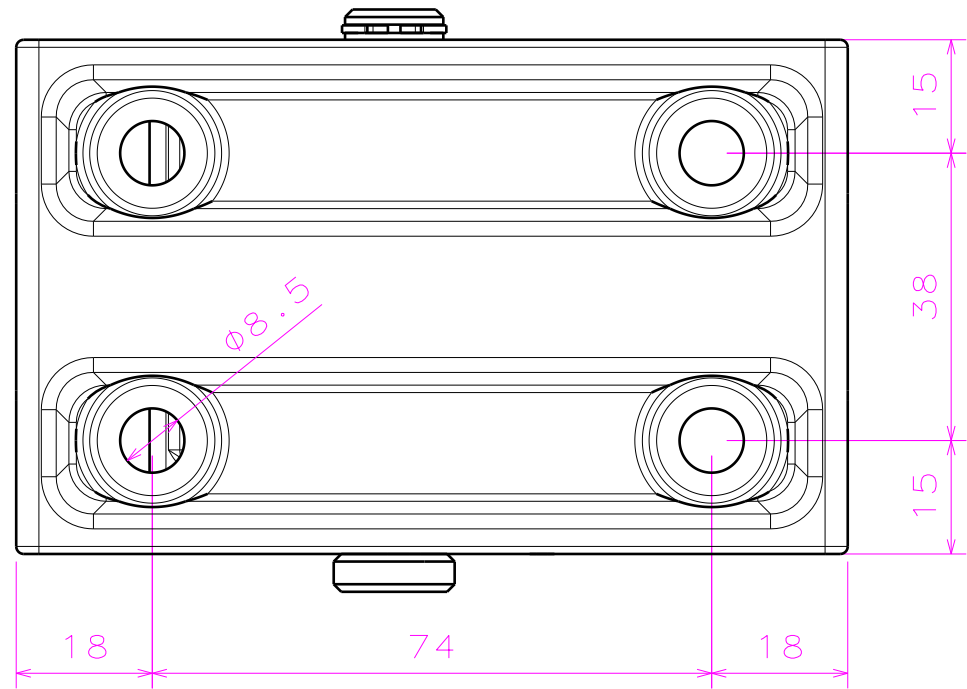
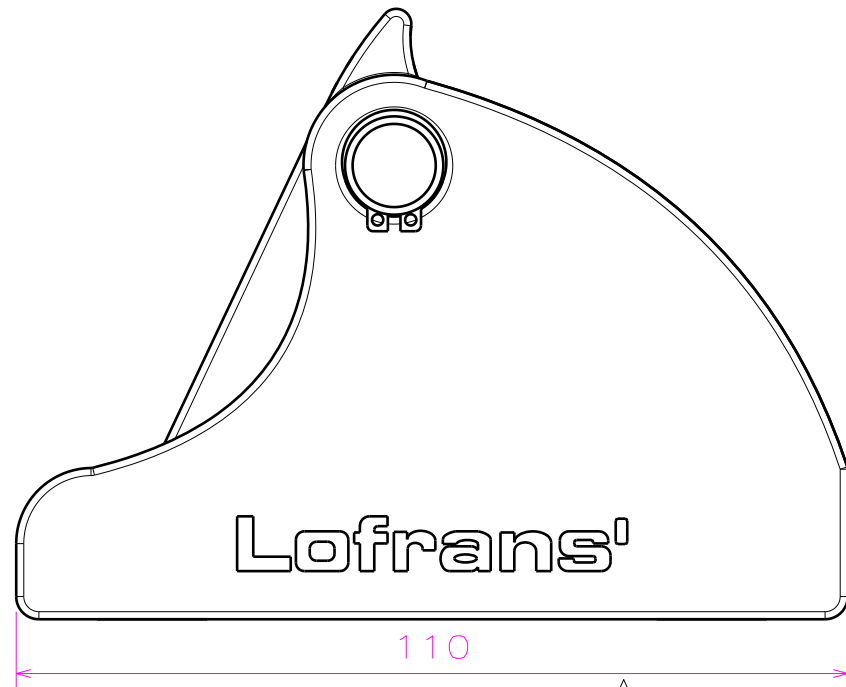


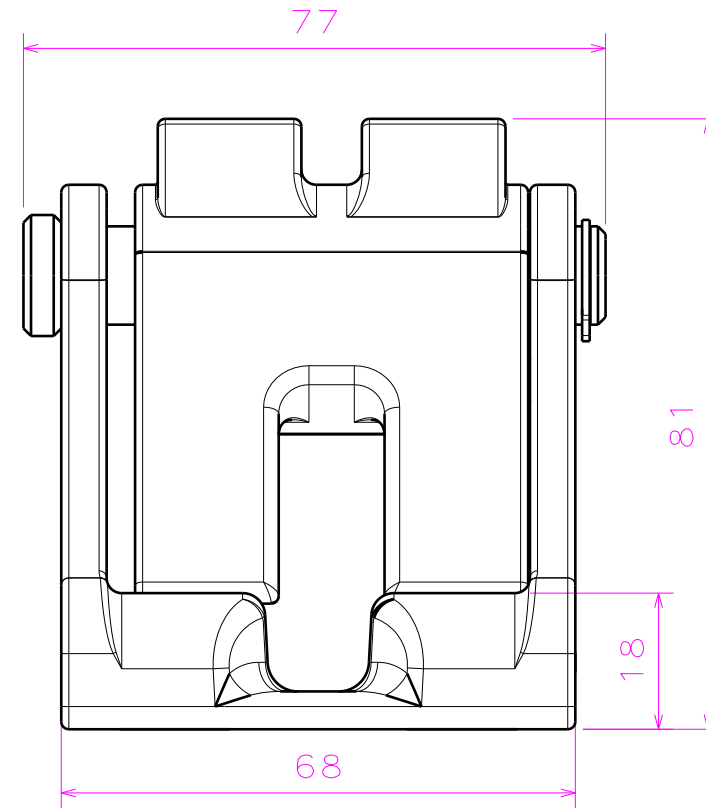
Bottom view  
Scale: 1:1



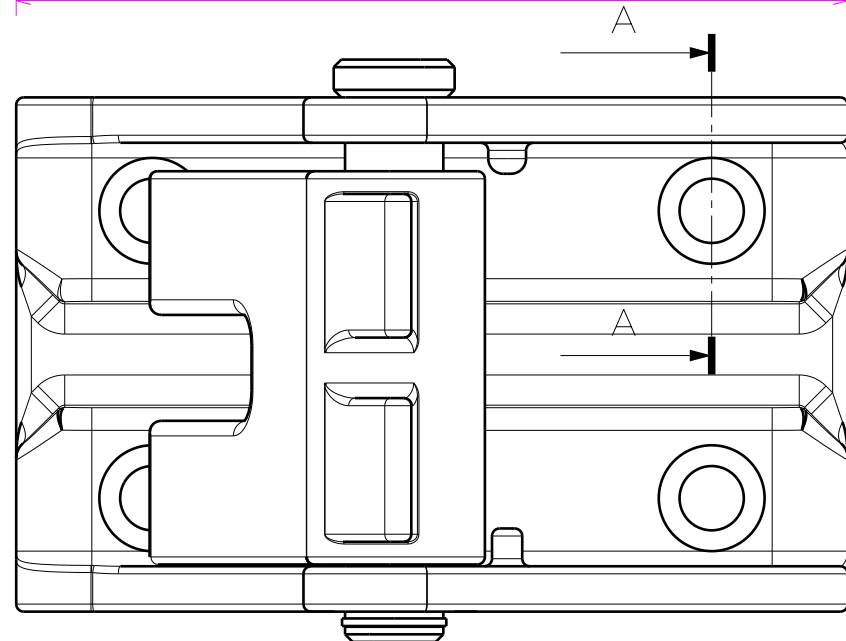
Front view  
Scale: 1:1



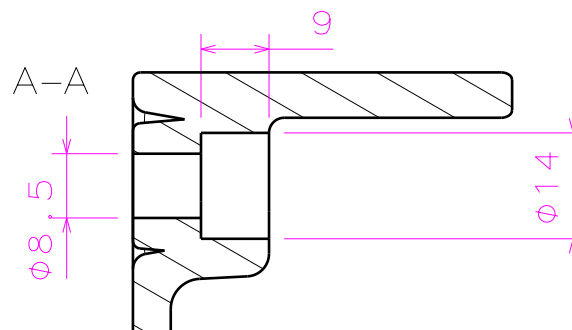
Left view  
Scale: 1:1



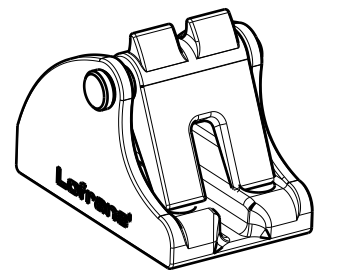
Top view  
Scale: 1:1



Section view A-A  
Scale: 1:1



Isometric view  
Scale: 1:3



This drawing is our property and it is confidential. It cannot be reproduced or communicated without our written agreement.  
General dimension - Class or allowances UNI EN 22768 - m  
The piece must be free from sharp edges and shocks

PRODUCT FAMILY  
CHAIN STOPPER

Lofrans' chain stopper, stainless steel, for ISO/DIN chain  
8/10/12mm

SAP CODE-PART NUMBER 636257		DRAWING FILENAME 636257-CHAIN STOPPER-A		DESIGN DRAFTING BY George Tzortzopoulos	DATE 29/1/2018
MATERIAL AISI 316		TREATMENT Mirror Polish		CHECK APPROVAL BY --	DATE
WEIGHT 1.8 kg	REVISION A	EXPLO.NR XXX		SCALE 1:1	SIZE A3
				SHEET 1/1	