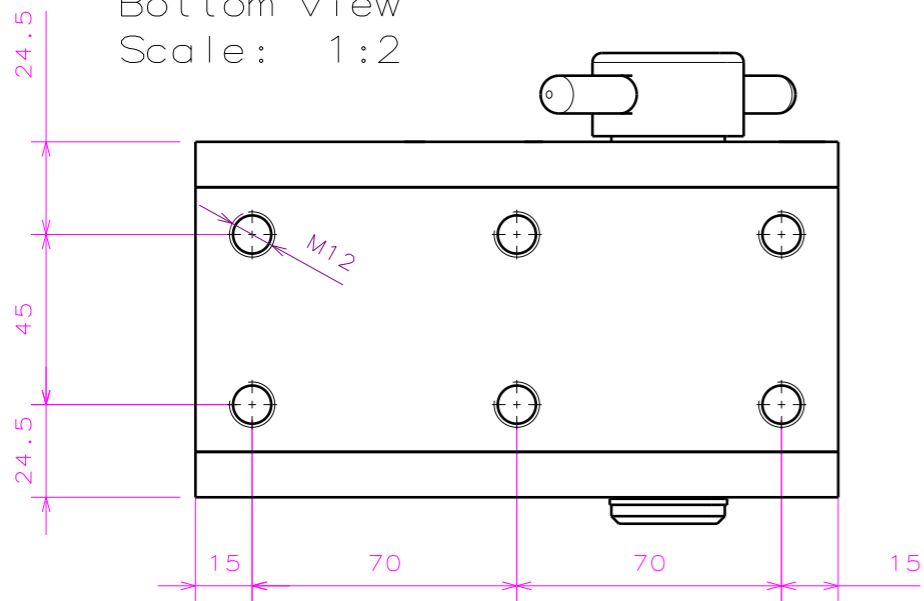
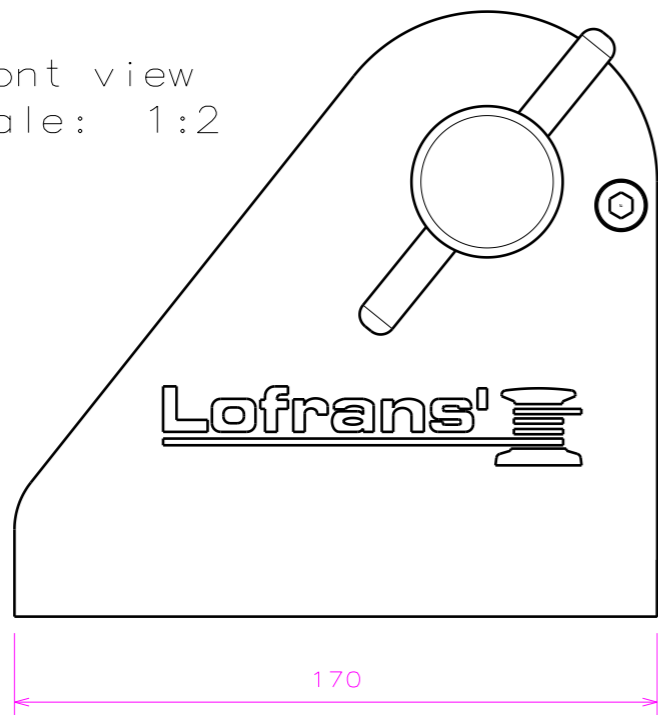


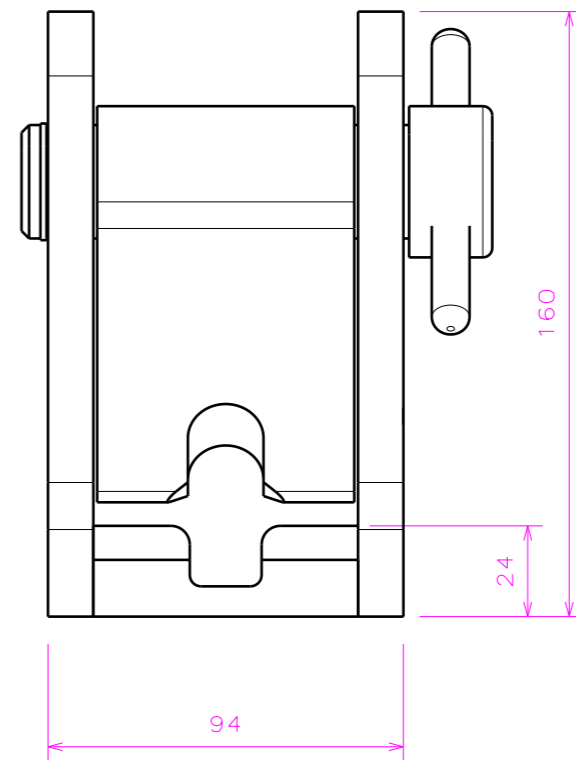
Bottom view
Scale: 1:2



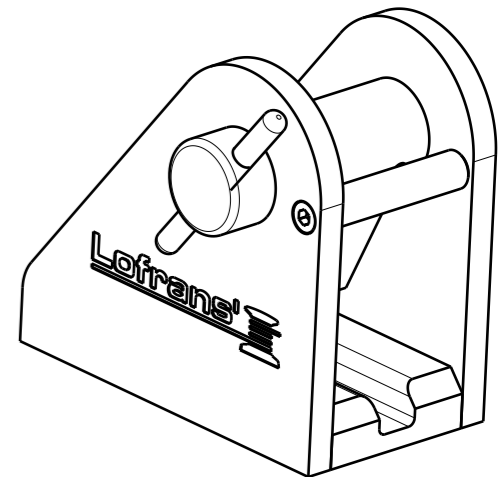
Front view
Scale: 1:2



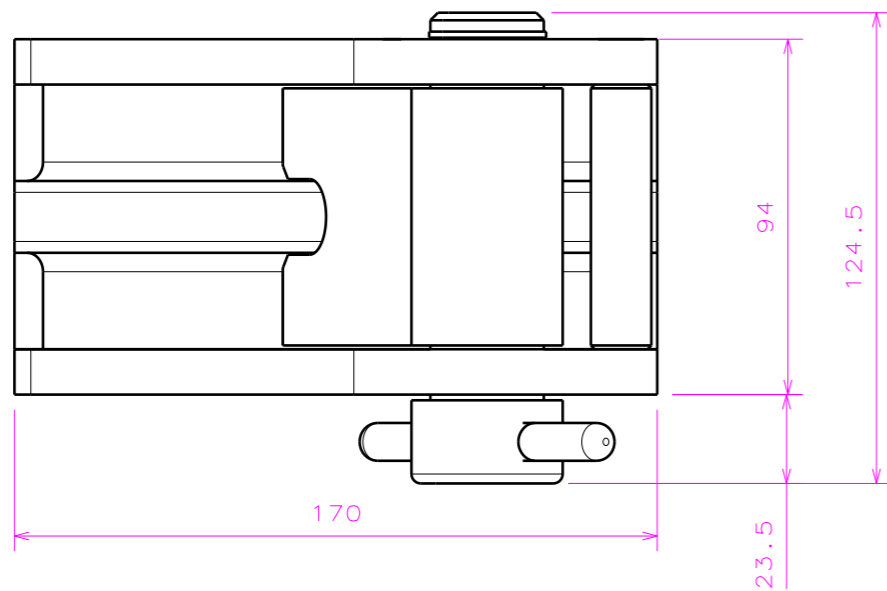
Left view
Scale: 1:2




Isometric view
Scale: 1:3



Top view
Scale: 1:2



		This drawing is our property and it is confidential. It cannot be reproduced or communicated without our written agreement. General dimension - Class or allowances UNI EN 22768 - m The piece must be free from sharp edges and shocks			
PRODUCT FAMILY CHAIN STOPPER		Lofrans' Chain stopper, stainless steel, for ISO/DIN chain 12/13/14/16mm			
SAP CODE-PART NUMBER	DRAWING FILENAME	DESIGN DRAFTING BY	DATE		
72191	72191-CHAIN STOPPER-A	George Tzortzopoulos	29/1/2018		
MATERIAL	TREATMENT	CHECK APPROVAL BY	DATE		
AISI 316	Mirror Polish	--			
WEIGHT	REVISION	EXPLO.NR	SCALE	SIZE	SHEET
8 kg	A	XXX	1:2	A3	1/1